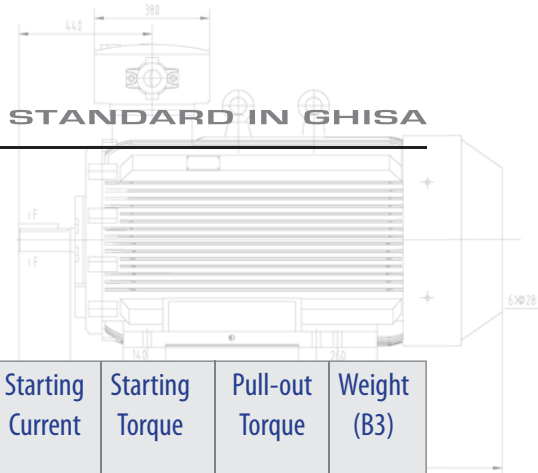




**ELECTRIC MOTORS**

**Special Motors  
Medium / High Voltage IC611**



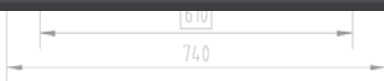
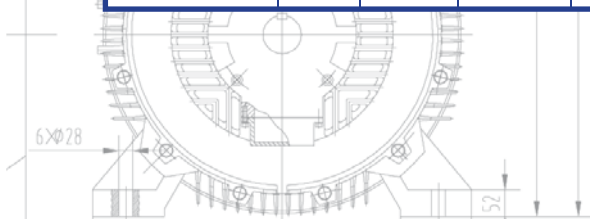


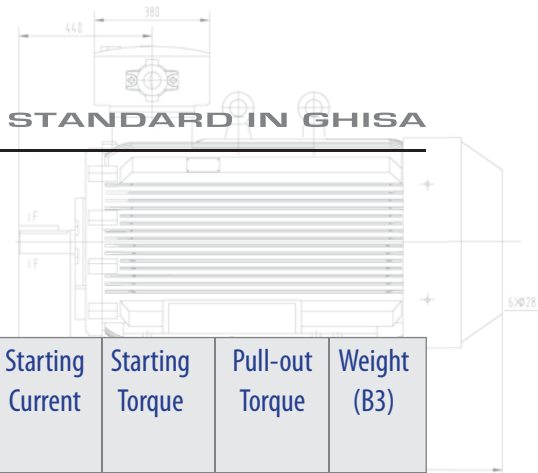
TECHNICAL DATA OME series TEFC Motor

IP 55/54, IC 611, Insulation Class F, temperature rise Class B, 3000V-50HZ

TYPE	Rated output	Voltage	Rated Current at	Speed	Power factor	Efficiency	Torque Tn	Starting Current	Starting Torque	Pull-out Torque	Weight (B3)
	KW	V	A	r.p.m.	cos φ	η	Nm	I st/In	Tst/Tn	Tmax/Tn	Kg
OME 355 A-2	220	3000	53.6	3000	0.85	92.5	700	1.8	0.6	7	2250
OME 355 B-2	250	3000	60.6	3000	0.85	92.6	796	1.8	0.6	7	2300
OME 355 C-2	280	3000	66.2	3000	0.85	92.8	891	1.8	0.6	7	2350
OME 355 D-2	315	3000	74.4	3000	0.85	93.1	1.003	1.8	0.6	7	2400
OME 400 B-2	355	3000	83.8	3000	0.86	93.4	1.130	1.8	0.6	7	2700
OME 400 C-2	400	3000	94.2	3000	0.86	93.7	1.273	1.8	0.6	7	2780
OME 400 D-2	450	3000	105.8	3000	0.86	94	1.433	1.8	0.6	7	2900
OME 400 E-2	500	3000	116	3000	0.86	94.2	1.592	1.8	0.6	7	2950
OME 450 B-2	560	3000	129.8	3000	0.86	94.4	1.783	1.8	0.6	7	4000
OME 450 C-2	630	3000	146	3000	0.87	94.6	2.006	1.8	0.6	7	4300
OME 450 D-2	710	3000	164.2	3000	0.87	94.7	2.260	1.8	0.6	7	4600
OME 450 E-2	800	3000	183	3000	0.87	94.8	2.547	1.8	0.6	7	4900
OME 500 A-2	900	3000	205.6	3000	0.87	95	2.865	1.8	0.6	7	5200
OME 500 B-2	1000	3000	228	3000	0.87	95.1	3.183	1.8	0.6	7	5440
OME 500 C-2	1120	3000	255.2	3000	0.87	95.2	3.565	1.8	0.6	7	5650
OME 500 D-2	1250	3000	281.2	3000	0.87	95.3	3.979	1.8	0.6	7	5880
OME 560 A-2	1400	3000	314.4	3000	0.88	95.4	4.457	1.8	0.6	7	6800
OME 560 B-2	1600	3000	394.6	3000	0.88	95.5	5.093	1.8	0.6	7	6900
OME 560 C-2	1800	3000	412	3000	0.88	95.6	5.730	1.8	0.6	7	7160
OME 630 A-2	2000	3000	458	3000	0.88	95.7	6.367	1.8	0.6	7	9450
OME 630 B-2	2240	3000	512	3000	0.88	95.8	7.131	1.8	0.6	7	9850
OME 630 C-2	2500	3000	570	3000	0.88	95.9	7.958	1.8	0.6	7	10250
OME 355 A-4	185	3000	45.2	1500	0.85	92.8	1.178	1.8	0.8	6.5	2500
OME 355 B-4	200	3000	48.8	1500	0.85	92.9	1.273	1.8	0.8	6.5	2550
OME 355 C-4	220	3000	53.6	1500	0.85	93	1.401	1.8	0.7	6.5	2600
OME 355 D-4	250	3000	60.8	1500	0.85	93.1	1.592	1.8	0.7	6.5	2650
OME 400 B-4	280	3000	67.2	1500	0.86	93.2	1.783	1.8	0.7	6.5	2640
OME 400 C-4	315	3000	75.6	1500	0.86	93.3	2.006	1.8	0.7	6.5	2800
OME 400 D-4	355	3000	85	1500	0.86	93.5	2.260	1.8	0.7	6.5	2870
OME 400 E-4	400	3000	95.6	1500	0.86	93.7	2.547	1.8	0.7	6.5	2990
OME 400 F-4	450	3000	107.2	1500	0.86	93.9	2.865	1.8	0.7	6.5	3060

TYPE	Rated output	Voltage	Rated Current at	Speed	Power factor	Efficiency	Torque Tn	Starting Current	Starting Torque	Pull-out Torque	Weight (B3)
	KW	V	A	r.p.m.	cos φ	η	Nm	I st/In	Tst/Tn	Tmax/Tn	Kg
OME 450 B-4	500	3000	119	1500	0.86	94	3.183	1.8	0.8	6.5	4400
OME 450 C-4	560	3000	133	1500	0.86	94.2	3.565	1.8	0.8	6.5	4560
OME 450 D-4	630	3000	149.4	1500	0.86	94.4	4.011	1.8	0.8	6.5	4720
OME 450 E-4	710	3000	168	1500	0.86	94.6	4.520	1.8	0.8	6.5	4890
OME 500 A-4	800	3000	187.8	1500	0.87	94.8	5.093	1.8	0.7	6.5	5640
OME 500 B-4	900	3000	210	1500	0.87	94.9	5.730	1.8	0.7	6.5	5660
OME 500 C-4	1000	3000	232	1500	0.87	95	6.367	1.8	0.7	6.5	5850
OME 500 D-4	1120	3000	260	1500	0.87	95.1	7.131	1.8	0.7	6.5	6030
OME 560 A-4	1250	3000	288	1500	0.88	95.2	7.958	1.8	0.6	6.5	7800
OME 560 B-4	1400	3000	322	1550	0.88	95.3	8.913	1.8	0.6	6.5	8050
OME 560 C-4	1600	3000	366	1500	0.88	95.4	10.187	1.8	0.6	6.5	8300
OME 630 A-4	1800	3000	412	1500	0.88	95.5	11.460	1.8	0.6	6.5	10400
OME 630 B-4	2000	3000	458	1500	0.88	95.6	12.733	1.8	0.6	6.5	10800
OME 630 C-4	2240	3000	512	1500	0.88	95.7	14.261	1.8	0.6	6.5	11200
OME 400 A-6	185	3000	47	1000	0.82	92.4	1.767	1.8	0.8	6	2610
OME 400 B-6	200	3000	50.6	1000	0.82	92.6	1.910	1.8	0.8	6	2665
OME 400 C-6	220	3000	55.6	1000	0.82	92.8	2.101	1.8	0.8	6	2700
OME 400 D-6	250	3000	63	1000	0.82	93	2.388	1.8	0.8	6	2750
OME 400 E-6	280	3000	70.4	1000	0.82	93.3	2.674	1.8	0.8	6	2895
OME 400 F-6	315	3000	79	1000	0.82	93.5	3.008	1.8	0.8	6	3020
OME 450 B-6	355	3000	87.8	1000	0.83	93.7	3.390	1.8	0.8	6	4380
OME 450 C-6	400	3000	98.8	1000	0.83	93.8	3.820	1.8	0.8	6	4540
OME 450 D-6	450	3000	110.8	1000	0.83	94.1	4.298	1.8	0.8	6	4690
OME 450 E-6	500	3000	123	1000	0.83	94.3	4.775	1.8	0.8	6	4810
OME 500 A-6	560	3000	136	1000	0.84	94.4	5.348	1.8	0.7	6	5355
OME 500 B-6	630	3000	152.8	1000	0.84	94.5	6.017	1.8	0.7	6	5440
OME 500 C-6	710	3000	171.6	1000	0.84	94.8	6.781	1.8	0.7	6	5700
OME 500 D-6	800	3000	193.2	1000	0.84	94.9	7.640	1.8	0.7	6	5880
OME 560 A-6	900	3000	214	1000	0.85	95	8.595	1.8	0.7	6.5	7500
OME 560 B-6	1000	3000	238	1000	0.85	95.1	9.550	1.8	0.7	6.5	7850
OME 560 C-6	1120	3000	266	1000	0.85	95.2	10.696	1.8	0.7	6.5	8100



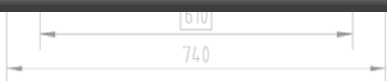
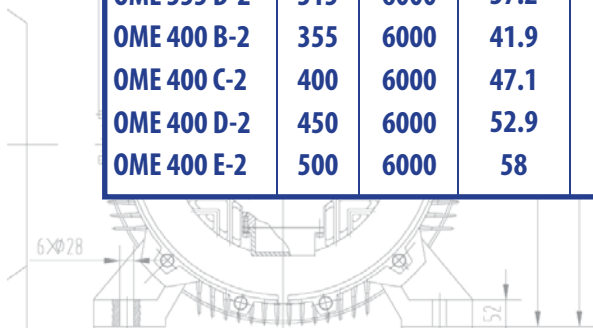


TYPE	Rated output	Voltage	Rated Current at	Speed	Power factor	Efficiency	Torque Tn	Starting Current	Starting Torque	Pull-out Torque	Weight (B3)
	KW	V	A	r.p.m.	cos φ	η	Nm	Ist/In	Tst/Tn	Tmax/Tn	Kg
OME 630 A-6	1250	3000	294	1000	0.86	95.3	11.938	1.8	0.7	6.5	10750
OME 630 B-6	1400	3000	328	1000	0.86	95.4	13.370	1.8	0.7	6.5	11150
OME 630 C-6	1600	3000	374	1000	0.86	95.5	15.280	1.8	0.7	6.5	11500
OME 400 D-8	185	3000	49.4	750	0.78	92.5	2.356	1.8	0.8	5.5	2785
OME 400 E-8	200	3000	53.2	750	0.78	92.7	2.547	1.8	0.8	5.5	2840
OME 400 F-8	220	3000	58.4	750	0.78	92.9	2.801	1.8	0.8	5.5	2910
OME 450 B-8	250	3000	65.4	750	0.79	93	3.183	1.8	0.8	5.5	4560
OME 450 C-8	280	3000	73.2	750	0.79	93.2	3.565	1.8	0.8	5.5	4650
OME 450 D-8	315	3000	82.2	750	0.79	93.4	4.011	1.8	0.8	5.5	4740
OME 450 E-8	355	3000	92.4	750	0.79	93.5	4.520	1.8	0.8	5.5	4840
OME 500 A-8	400	3000	102.6	750	0.8	93.7	5.093	1.8	0.8	5.5	5110
OME 500 B-8	450	3000	115.4	750	0.8	93.8	5.730	1.8	0.8	5.5	5280
OME 500 C-8	500	3000	127.6	750	0.8	94.2	6.367	1.8	0.8	5.5	5430
OME 500 D-8	560	3000	142.8	750	0.8	94.4	7.131	1.8	0.8	5.5	5660
OME 560 A-8	630	3000	156.4	750	0.82	94.5	8.022	1.8	0.7	6	7500
OME 560 B-8	710	3000	160	750	0.82	94.6	9.041	1.8	0.7	6	7750
OME 560 C-8	800	3000	198.2	750	0.82	94.7	10.187	1.8	0.7	6	8000
OME 630 A-8	900	3000	218	750	0.86	94.8	11.460	1.8	0.7	6	10400
OME 630 B-8	1000	3000	242	750	0.86	94.9	12.733	1.8	0.7	6	10800
OME 630 C-8	1120	3000	270	750	0.84	95	14.261	1.8	0.7	6	11200
OME 630 D-8	1250	3000	302	750	0.84	95.1	15.917	1.8	0.7	6	11600
OME 450 A-10	185	3000	51.8	600	0.75	91.7	2.945	1.8	0.8	5.5	4580
OME 450 B-10	200	3000	55.8	600	0.75	91.9	3.183	1.8	0.8	5.5	4670
OME 450 C-10	220	3000	61.2	600	0.75	92.1	3.502	1.8	0.8	5.5	4760
OME 450 D-10	250	3000	69.6	600	0.75	92.3	3.979	1.8	0.8	5.5	4860
OME 450 E-10	280	3000	77.6	600	0.75	92.5	4.457	1.8	0.8	5.5	4960
OME 500 A-10	315	3000	86	600	0.76	92.8	5.014	1.8	0.8	5.5	5220
OME 500 B-10	355	3000	96.6	600	0.76	93	5.650	1.8	0.8	5.5	5375
OME 500 C-10	400	3000	108.6	600	0.76	93.3	6.367	1.8	0.8	5.5	5535
OME 500 D-10	450	3000	122	600	0.76	93.4	7.163	1.8	0.8	5.5	5760
OME 560 A-10	500	3000	131.8	600	0.78	93.6	7.958	1.8	0.7	6	7470
OME 560 B-10	560	3000	147.4	600	0.8	93.7	8.913	1.8	0.7	6	7690
OME 560 C-10	630	3000	165.6	600	0.8	93.8	10.028	1.8	0.7	6	7920
OME 560 D-10	710	3000	186.2	600	0.8	94	11.301	1.8	0.7	6	8140

TYPE	Rated output	Voltage	Rated Current at	Speed	Power factor	Efficiency	Torque T <sub>n</sub>	Starting Current	Starting Torque	Pull-out Torque	Weight (B3)
	KW	V	A	r.p.m.	cos φ	η	Nm	I <sub>st</sub> /I <sub>n</sub>	T <sub>st</sub> /T <sub>n</sub>	T <sub>max</sub> /T <sub>n</sub>	Kg
OME 630 A-10	800	3000	204	600	0.8	94.2	12.733	1.8	0.7	6	10600
OME 630 B-10	900	3000	230	600	0.8	94.3	14.325	1.8	0.7	6	11000
OME 630 C-10	1000	3000	254	600	0.8	94.4	15.917	1.8	0.7	6	11400
OME 630 D-10	1120	3000	284	600	0.8	94.6	17.827	1.8	0.7	6	11800
OME 450 D-12	185	3000	55.4	500	0.7	91.8	3.534	1.8	0.8	5.5	4700
OME 450 E-12	200	3000	59.8	500	0.7	92	3.820	1.8	0.8	5.5	4950
OME 500 B-12	250	3000	72.2	500	0.7	92.5	4.775	1.8	0.8	5.5	5090
OME 500 C-12	280	3000	80.8	500	0.72	92.7	5.348	1.8	0.8	5.5	5340
OME 500 D-12	315	3000	90.8	500	0.72	92.8	6.017	1.8	0.8	5.5	5410
OME 560 A-12	355	3000	99.2	500	0.74	93	6.781	1.8	0.7	6	5660
OME 560 B-12	400	3000	111.4	500	0.75	93.3	7.640	1.8	0.7	6	7440
OME 560 C-12	450	3000	125.2	500	0.75	93.4	8.595	1.8	0.7	6	7650
OME 560 D-12	500	3000	138.8	500	0.75	93.7	9.550	1.8	0.7	6	7860
OME 630 A-12	560	3000	151.2	500	0.76	93.8	10.696	1.8	0.7	6	8070
OME 630 B-12	630	3000	169.8	500	0.76	93.9	12.033	1.8	0.7	6	10600
OME 630 C-12	710	3000	191.2	500	0.76	94	13.561	1.8	0.7	6	11000
OME 630 D-12	800	3000	216	500	0.76	94.2	15.280	1.8	0.7	6	11800

**IP 55/54, IC 611, Insulation Class F, temperature rise Class B, 3000V-50HZ**

TYPE	Rated output	Voltage	Rated Current at	Speed	Power factor	Efficiency	Torque T <sub>n</sub>	Starting Current	Starting Torque	Pull-out Torque	Weight (B3)
	KW	V	A	r.p.m.	cos φ	η	Nm	I <sub>st</sub> /I <sub>n</sub>	T <sub>st</sub> /T <sub>n</sub>	T <sub>max</sub> /T <sub>n</sub>	Kg
OME 355 A-2	220	6000	26.8	3000	0.85	92.5	700	1.8	0.6	7	2250
OME 355 B-2	250	6000	30.3	3000	0.85	92.6	796	1.8	0.6	7	2300
OME 355 C-2	280	6000	33.1	3000	0.85	92.8	891	1.8	0.6	7	2350
OME 355 D-2	315	6000	37.2	3000	0.85	93.1	1.003	1.8	0.6	7	2400
OME 400 B-2	355	6000	41.9	3000	0.86	93.4	1.130	1.8	0.6	7	2700
OME 400 C-2	400	6000	47.1	3000	0.86	93.7	1.273	1.8	0.6	7	2780
OME 400 D-2	450	6000	52.9	3000	0.86	94	1.433	1.8	0.6	7	2900
OME 400 E-2	500	6000	58	3000	0.86	94.2	1.592	1.8	0.6	7	2950







TYPE	Rated output	Voltage	Rated Current at	Speed	Power factor	Efficiency	Torque Tn	Starting Current	Starting Torque	Pull-out Torque	Weight (B3)
	KW	V	A	r.p.m.	cos φ	η	Nm	Ist/In	Tst/Tn	Tmax/Tn	Kg
OME 450 B-2	560	6000	64.9	3000	0.86	94.4	1.783	1.8	0.6	7	4000
OME 450 C-2	630	6000	73	3000	0.87	94.6	2.006	1.8	0.6	7	4300
OME 450 D-2	710	6000	82.1	3000	0.87	94.7	2.260	1.8	0.6	7	4600
OME 450 E-2	800	6000	91.5	3000	0.87	94.8	2.547	1.8	0.6	7	4900
OME 500 A-2	900	6000	102.8	3000	0.87	95	2.865	1.8	0.6	7	5200
OME 500 B-2	1000	6000	114	3000	0.87	95.1	3.183	1.8	0.6	7	5440
OME 500 C-2	1120	6000	127.6	3000	0.87	95.2	3.565	1.8	0.6	7	5650
OME 500 D-2	1250	6000	140.6	3000	0.87	95.3	3.979	1.8	0.6	7	5880
OME 560 A-2	1400	6000	157.2	3000	0.88	95.4	4.457	1.8	0.6	7	6800
OME 560 B-2	1600	6000	197.3	3000	0.88	95.5	5.093	1.8	0.6	7	6900
OME 560 C-2	1800	6000	206	3000	0.88	95.6	5.730	1.8	0.6	7	7160
OME 630 A-2	2000	6000	229	3000	0.88	95.7	6.367	1.8	0.6	7	9450
OME 630 B-2	2240	6000	256	3000	0.88	95.8	7.131	1.8	0.6	7	9850
OME 630 C-2	2500	6000	285	3000	0.88	95.9	7.958	1.8	0.6	7	10250
OME 355 A-4	185	6000	22.6	1500	0.85	92.8	1.178	1.8	0.8	6.5	2500
OME 355 B-4	200	6000	24.4	1500	0.85	92.9	1.273	1.8	0.8	6.5	2550
OME 355 C-4	220	6000	26.8	1500	0.85	93	1.401	1.8	0.7	6.5	2600
OME 355 D-4	250	6000	30.4	1500	0.85	93.1	1.592	1.8	0.7	6.5	2650
OME 400 B-4	280	6000	33.6	1500	0.86	93.2	1.783	1.8	0.7	6.5	2640
OME 400 C-4	315	6000	37.8	1500	0.86	93.3	2.006	1.8	0.7	6.5	2800
OME 400 D-4	355	6000	42.5	1500	0.86	93.5	2.260	1.8	0.7	6.5	2870
OME 400 E-4	400	6000	47.8	1500	0.86	93.7	2.547	1.8	0.7	6.5	2990
OME 400 F-4	450	6000	53.6	1500	0.86	93.9	2.865	1.8	0.7	6.5	3060
OME 450 B-4	500	6000	59.5	1500	0.86	94	3.183	1.8	0.8	6.5	4400
OME 450 C-4	560	6000	66.5	1500	0.86	94.2	3.565	1.8	0.8	6.5	4560
OME 450 D-4	630	6000	74.7	1500	0.86	94.4	4.011	1.8	0.8	6.5	4720
OME 450 E-4	710	6000	84	1500	0.86	94.6	4.520	1.8	0.8	6.5	4890
OME 500 A-4	800	6000	93.9	1500	0.87	94.8	5.093	1.8	0.7	6.5	5640
OME 500 B-4	900	6000	105	1500	0.87	94.9	5.730	1.8	0.7	6.5	5660
OME 500 C-4	1000	6000	116	1500	0.87	95	6.367	1.8	0.7	6.5	5850
OME 500 D-4	1120	6000	130	1500	0.87	95.1	7.131	1.8	0.7	6.5	6030
OME 560 A-4	1250	6000	144	1500	0.88	95.2	7.958	1.8	0.6	6.5	7800
OME 560 B-4	1400	6000	161	1500	0.88	95.3	8.913	1.8	0.6	6.5	8050
OME 560 C-4	1600	6000	183	1500	0.88	95.4	10.187	1.8	0.6	6.5	8300

TYPE	Rated output	Voltage	Rated Current at	Speed	Power factor	Efficiency	Torque Tn	Starting Current	Starting Torque	Pull-out Torque	Weight (B3)
	KW	V	A	r.p.m.	cos φ	η	Nm	I st/In	Tst/Tn	Tmax/Tn	Kg
OME 630 A-4	1800	6000	206	1500	0.88	95.5	11.460	1.8	0.6	6.5	10400
OME 630 B-4	2000	6000	229	1500	0.88	95.6	12.733	1.8	0.6	6.5	10800
OME 630 C-4	2240	6000	256	1500	0.88	95.7	14.261	1.8	0.6	6.5	11200
OME 400 A-6	185	6000	23.5	1000	0.82	92.4	1.767	1.8	0.8	6	2610
OME 400 B-6	200	6000	25.3	1000	0.82	92.6	1.910	1.8	0.8	6	2665
OME 400 C-6	220	6000	27.8	1000	0.82	92.8	2.101	1.8	0.8	6	2700
OME 400 D-6	250	6000	31.5	1000	0.82	93	2.388	1.8	0.8	6	2750
OME 400 E-6	280	6000	35.2	1000	0.82	93.3	2.674	1.8	0.8	6	2895
OME 400 F-6	315	6000	39.5	1000	0.82	93.5	3.008	1.8	0.8	6	3020
OME 450 B-6	355	6000	43.9	1000	0.83	93.7	3.390	1.8	0.8	6	4380
OME 450 C-6	400	6000	49.4	1000	0.83	93.8	3.820	1.8	0.8	6	4540
OME 450 D-6	450	6000	55.4	1000	0.83	94.1	4.298	1.8	0.8	6	4690
OME 450 E-6	500	6000	61.5	1000	0.83	94.3	4.775	1.8	0.8	6	4810
OME 500 A-6	560	6000	68	1000	0.84	94.4	5.348	1.8	0.7	6	5355
OME 500 B-6	630	6000	76.4	1000	0.84	94.5	6.017	1.8	0.7	6	5440
OME 500 C-6	710	6000	85.8	1000	0.84	94.8	6.781	1.8	0.7	6	5700
OME 500 D-6	800	6000	96.6	1000	0.84	94.9	7.640	1.8	0.7	6	5880
OME 560 A-6	900	6000	107	1000	0.85	95	8.595	1.8	0.7	6.5	7500
OME 560 B-6	1000	6000	119	1000	0.85	95.1	9.550	1.8	0.7	6.5	7850
OME 560 C-6	1120	6000	133	1000	0.85	95.2	10.696	1.8	0.7	6.5	8100
OME 630 A-6	1250	6000	147	1000	0.86	95.3	11.938	1.8	0.7	6.5	10750
OME 630 B-6	1400	6000	164	1000	0.86	95.4	13.370	1.8	0.7	6.5	11150
OME 630 C-6	1600	6000	187	1000	0.86	95.5	15.280	1.8	0.7	6.5	11500
OME 400 D-8	185	6000	24.7	750	0.78	92.5	2.356	1.8	0.8	5.5	2785
OME 400 E-8	200	6000	26.6	750	0.78	92.7	2.547	1.8	0.8	5.5	2840
OME 400 F-8	220	6000	29.2	750	0.78	92.9	2.801	1.8	0.8	5.5	2910
OME 450 B-8	250	6000	32.7	750	0.79	93	3.183	1.8	0.8	5.5	4560
OME 450 C-8	280	6000	36.6	750	0.79	93.2	3.565	1.8	0.8	5.5	4650
OME 450 D-8	315	6000	41.1	750	0.79	93.4	4.011	1.8	0.8	5.5	4740
OME 450 E-8	355	6000	46.2	750	0.79	93.5	4.520	1.8	0.8	5.5	4840
OME 500 A-8	400	6000	51.3	750	0.8	93.7	5.093	1.8	0.8	5.5	5110
OME 500 B-8	450	6000	57.7	750	0.8	93.8	5.730	1.8	0.8	5.5	5280
OME 500 C-8	500	6000	63.8	750	0.8	94.2	6.367	1.8	0.8	5.5	5430
OME 500 D-8	560	6000	71.4	750	0.8	94.4	7.131	1.8	0.8	5.5	5660



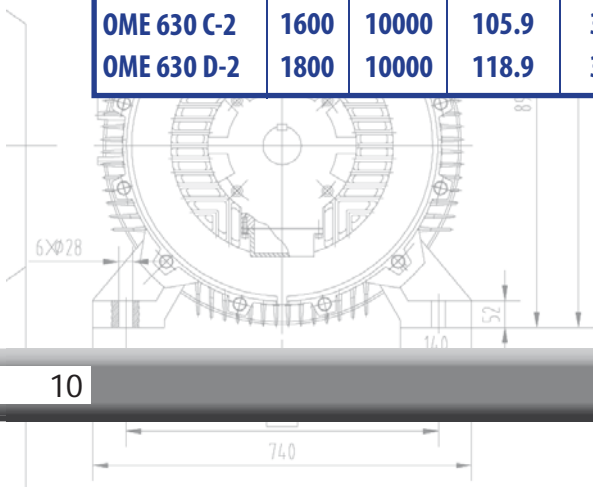
TYPE	Rated output	Voltage	Rated Current at	Speed	Power factor	Efficiency	Torque Tn	Starting Current	Starting Torque	Pull-out Torque	Weight (B3)
	KW	V	A	r.p.m.	cos φ	η	Nm	I st/I n	Tst/Tn	Tmax/Tn	Kg
OME 560 A-8	630	6000	78.2	750	0.82	94.5	8.022	1.8	0.7	6	7500
OME 560 B-8	710	6000	80	750	0.82	94.6	9.041	1.8	0.7	6	7750
OME 560 C-8	800	6000	99.1	750	0.82	94.7	10.187	1.8	0.7	6	8000
OME 630 A-8	900	6000	109	750	0.86	94.8	11.460	1.8	0.7	6	10400
OME 630 B-8	1000	6000	121	750	0.86	94.9	12.733	1.8	0.7	6	10800
OME 630 C-8	1120	6000	135	750	0.84	95	14.261	1.8	0.7	6	11200
OME 630 D-8	1250	6000	151	750	0.84	95.1	15.917	1.8	0.7	6	11600
OME 450 A-10	185	6000	25.9	600	0.75	91.7	2.945	1.8	0.8	5.5	4580
OME 450 B-10	200	6000	27.9	600	0.75	91.9	3.183	1.8	0.8	5.5	4670
OME 450 C-10	220	6000	30.6	600	0.75	92.1	3.502	1.8	0.8	5.5	4760
OME 450 D-10	250	6000	34.8	600	0.75	92.3	3.979	1.8	0.8	5.5	4860
OME 450 E-10	280	6000	38.8	600	0.75	92.5	4.457	1.8	0.8	5.5	4960
OME 500 A-10	315	6000	43	600	0.76	92.8	5.014	1.8	0.8	5.5	5220
OME 500 B-10	355	6000	48.3	600	0.76	93	5.650	1.8	0.8	5.5	5375
OME 500 C-10	400	6000	54.3	600	0.76	93.3	6.367	1.8	0.8	5.5	5535
OME 500 D-10	450	6000	61	600	0.76	93.4	7.163	1.8	0.8	5.5	5760
OME 560 A-10	500	6000	65.9	600	0.78	93.6	7.958	1.8	0.7	6	7470
OME 560 B-10	560	6000	73.7	600	0.8	93.7	8.913	1.8	0.7	6	7690
OME 560 C-10	630	6000	82.8	600	0.8	93.8	10.028	1.8	0.7	6	7920
OME 560 D-10	710	6000	93.1	600	0.8	94	11.301	1.8	0.7	6	8140
OME 630 A-10	800	6000	102	600	0.8	94.2	12.733	1.8	0.7	6	10600
OME 630 B-10	900	6000	115	600	0.8	94.3	14.325	1.8	0.7	6	11000
OME 630 C-10	1000	6000	127	600	0.8	94.4	15.917	1.8	0.7	6	11400
OME 630 D-10	1120	6000	142	600	0.8	94.6	17.827	1.8	0.7	6	11800
OME 450 D-12	185	6000	27.7	500	0.7	91.8	3.534	1.8	0.8	5.5	4700
OME 450 E-12	200	6000	29.9	500	0.7	92	3.820	1.8	0.8	5.5	4950
OME 500 B-12	250	6000	36.1	500	0.7	92.5	4.775	1.8	0.8	5.5	5090
OME 500 C-12	280	6000	40.4	500	0.72	92.7	5.348	1.8	0.8	5.5	5340
OME 500 D-12	315	6000	45.4	500	0.72	92.8	6.017	1.8	0.8	5.5	5410
OME 560 A-12	355	6000	49.6	500	0.74	93	6.781	1.8	0.7	6	5660
OME 560 B-12	400	6000	55.7	500	0.75	93.3	7.640	1.8	0.7	6	7440
OME 560 C-12	450	6000	62.6	500	0.75	93.4	8.595	1.8	0.7	6	7650
OME 560 D-12	500	6000	69.4	500	0.75	93.7	9.550	1.8	0.7	6	7860



TYPE	Rated output	Voltage	Rated Current at	Speed	Power factor	Efficiency	Torque T <sub>n</sub>	Starting Current	Starting Torque	Pull-out Torque	Weight (B3)
	KW	V	A	r.p.m.	cos φ	η	Nm	I <sub>st</sub> /I <sub>n</sub>	T <sub>st</sub> /T <sub>n</sub>	T <sub>max</sub> /T <sub>n</sub>	Kg
<b>OME 630 A-12</b>	<b>560</b>	<b>6000</b>	<b>75.6</b>	<b>500</b>	<b>0.76</b>	<b>93.8</b>	<b>10.696</b>	<b>1.8</b>	<b>0.7</b>	<b>6</b>	<b>8070</b>
<b>OME 630 B-12</b>	<b>630</b>	<b>6000</b>	<b>84.9</b>	<b>500</b>	<b>0.76</b>	<b>93.9</b>	<b>12.033</b>	<b>1.8</b>	<b>0.7</b>	<b>6</b>	<b>10600</b>
<b>OME 630 C-12</b>	<b>710</b>	<b>6000</b>	<b>95.6</b>	<b>500</b>	<b>0.76</b>	<b>94</b>	<b>13.561</b>	<b>1.8</b>	<b>0.7</b>	<b>6</b>	<b>11000</b>
<b>OME 630 D-12</b>	<b>800</b>	<b>6000</b>	<b>108</b>	<b>500</b>	<b>0.76</b>	<b>94.2</b>	<b>15.280</b>	<b>1.8</b>	<b>0.7</b>	<b>6</b>	<b>11800</b>

**IP 54/44, IC 611, Insulation Class F, temperature rise Class B, 10000V-50HZ**

TYPE	Rated output	Voltage	Rated Current at	Speed	Power factor	Efficiency	Torque T <sub>n</sub>	Starting Current	Starting Torque	Pull-out Torque	Weight (B3)
	KW	V	A	r.p.m.	cos φ	η	Nm	I <sub>st</sub> /I <sub>n</sub>	T <sub>st</sub> /T <sub>n</sub>	T <sub>max</sub> /T <sub>n</sub>	Kg
<b>OME 450 B-2</b>	<b>250</b>	<b>10000</b>	<b>17.5</b>	<b>3000</b>	<b>0.89</b>	<b>92.6</b>	<b>796</b>	<b>1.8</b>	<b>0.6</b>	<b>7</b>	<b>3740</b>
<b>OME 450 C-2</b>	<b>280</b>	<b>10000</b>	<b>19.6</b>	<b>3000</b>	<b>0.89</b>	<b>92.8</b>	<b>891</b>	<b>1.8</b>	<b>0.6</b>	<b>7</b>	<b>3800</b>
<b>OME 450 D-2</b>	<b>315</b>	<b>10000</b>	<b>21.9</b>	<b>3000</b>	<b>0.89</b>	<b>93.1</b>	<b>1.003</b>	<b>1.8</b>	<b>0.6</b>	<b>7</b>	<b>3880</b>
<b>OME 450 E-2</b>	<b>355</b>	<b>10000</b>	<b>24.7</b>	<b>3000</b>	<b>0.89</b>	<b>93.3</b>	<b>1.130</b>	<b>1.8</b>	<b>0.6</b>	<b>7</b>	<b>3945</b>
<b>OME 450 F-2</b>	<b>400</b>	<b>10000</b>	<b>27.7</b>	<b>3000</b>	<b>0.89</b>	<b>93.4</b>	<b>1.273</b>	<b>1.8</b>	<b>0.6</b>	<b>7</b>	<b>4090</b>
<b>OME 450 G-2</b>	<b>450</b>	<b>10000</b>	<b>31.2</b>	<b>3000</b>	<b>0.89</b>	<b>93.5</b>	<b>1.433</b>	<b>1.8</b>	<b>0.6</b>	<b>7</b>	<b>4185</b>
<b>OME 450 H-2</b>	<b>500</b>	<b>10000</b>	<b>34.6</b>	<b>3000</b>	<b>0.89</b>	<b>93.6</b>	<b>1.592</b>	<b>1.8</b>	<b>0.6</b>	<b>7</b>	<b>4575</b>
<b>OME 500 B-2</b>	<b>560</b>	<b>10000</b>	<b>38.3</b>	<b>3000</b>	<b>0.9</b>	<b>93.7</b>	<b>1.783</b>	<b>1.8</b>	<b>0.6</b>	<b>7</b>	<b>4980</b>
<b>OME 500 C-2</b>	<b>630</b>	<b>10000</b>	<b>43.1</b>	<b>3000</b>	<b>0.9</b>	<b>93.8</b>	<b>2.006</b>	<b>1.8</b>	<b>0.6</b>	<b>7</b>	<b>5380</b>
<b>OME 500 D-2</b>	<b>710</b>	<b>10000</b>	<b>48.5</b>	<b>3000</b>	<b>0.9</b>	<b>93.9</b>	<b>2.260</b>	<b>1.8</b>	<b>0.6</b>	<b>7</b>	<b>5600</b>
<b>OME 500 E-2</b>	<b>800</b>	<b>10000</b>	<b>54.6</b>	<b>3000</b>	<b>0.9</b>	<b>94</b>	<b>2.547</b>	<b>1.8</b>	<b>0.6</b>	<b>7</b>	<b>5680</b>
<b>OME 500 F-2</b>	<b>900</b>	<b>10000</b>	<b>61.3</b>	<b>3000</b>	<b>0.9</b>	<b>94.2</b>	<b>2.865</b>	<b>1.8</b>	<b>0.6</b>	<b>7</b>	<b>5880</b>
<b>OME 560 C-2</b>	<b>1000</b>	<b>10000</b>	<b>67.2</b>	<b>3000</b>	<b>0.91</b>	<b>94.4</b>	<b>3.183</b>	<b>1.8</b>	<b>0.7</b>	<b>7</b>	<b>8000</b>
<b>OME 560 D-2</b>	<b>1120</b>	<b>10000</b>	<b>75.2</b>	<b>3000</b>	<b>0.91</b>	<b>94.5</b>	<b>3.565</b>	<b>1.8</b>	<b>0.7</b>	<b>7</b>	<b>8250</b>
<b>OME 560 E-2</b>	<b>1250</b>	<b>10000</b>	<b>83.8</b>	<b>3000</b>	<b>0.91</b>	<b>94.6</b>	<b>3.979</b>	<b>1.8</b>	<b>0.7</b>	<b>7</b>	<b>9300</b>
<b>OME 630 B-2</b>	<b>1400</b>	<b>10000</b>	<b>92.7</b>	<b>3000</b>	<b>0.92</b>	<b>94.7</b>	<b>4.457</b>	<b>1.8</b>	<b>0.6</b>	<b>7</b>	<b>9700</b>
<b>OME 630 C-2</b>	<b>1600</b>	<b>10000</b>	<b>105.9</b>	<b>3000</b>	<b>0.92</b>	<b>94.8</b>	<b>5.093</b>	<b>1.8</b>	<b>0.6</b>	<b>7</b>	<b>10100</b>
<b>OME 630 D-2</b>	<b>1800</b>	<b>10000</b>	<b>118.9</b>	<b>3000</b>	<b>0.92</b>	<b>95</b>	<b>5.730</b>	<b>1.8</b>	<b>0.6</b>	<b>7</b>	<b>10500</b>

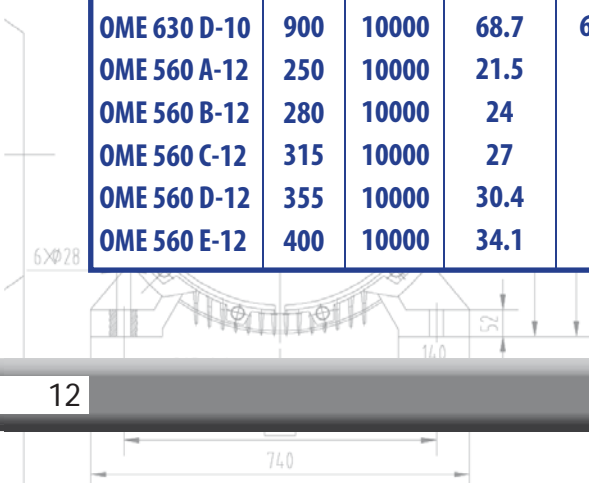




TYPE	Rated output	Voltage	Rated Current at	Speed	Power factor	Efficiency	Torque Tn	Starting Current	Starting Torque	Pull-out Torque	Weight (B3)
	KW	V	A	r.p.m.	cos φ	η	Nm	Ist/In	Tst/Tn	Tmax/Tn	Kg
OME 450 A-4	250	10000	18.3	1500	0.85	92.6	1.592	1.8	0.7	7	3700
OME 450 B-4	280	10000	20.3	1500	0.85	92.7	1.783	1.8	0.7	7	3760
OME 450 C-4	315	10000	22.7	1500	0.86	93.2	2.006	1.8	0.7	7	3860
OME 450 D-4	355	10000	25.5	1500	0.86	93.5	2.260	1.8	0.7	7	3890
OME 450 E-4	400	10000	28.7	1500	0.86	93.6	2.547	1.8	0.7	7	4200
OME 450 F-4	450	10000	32.2	1500	0.86	93.8	2.865	1.8	0.7	7	4490
OME 450 G-4	500	10000	35.1	1500	0.88	93.4	3.183	1.8	0.7	7	5650
OME 450 H-4	560	10000	38.6	1500	0.89	94	3.565	1.8	0.8	7	5800
OME 500 A-4	500	10000	35.3	1500	0.87	94	3.183	1.8	0.8	7	6300
OME 500 B-4	560	10000	39.5	1500	0.87	94.2	3.565	1.8	0.8	7	6450
OME 500 C-4	630	10000	44.3	1500	0.87	94.4	4.011	1.8	0.8	7	6550
OME 500 D-4	710	10000	49.6	1500	0.87	95	4.520	1.8	0.8	7	6830
OME 500 E-4	800	10000	55.8	1500	0.87	95.1	5.093	1.8	0.8	7	6950
OME 500 F-4	900	10000	61.8	1500	0.89	94.4	5.730	1.8	0.8	7	7350
OME 560 C-4	1000	10000	68.8	1500	0.88	95.3	6.367	1.8	0.8	7	8300
OME 560 D-4	1120	10000	77	1500	0.88	95.4	7.131	1.8	0.8	7	8450
OME 560 E-4	1250	10000	84.6	1500	0.9	94.8	7.958	1.8	0.7	7	8660
OME 630 B-4	1400	10000	94.9	1500	0.89	95.7	8.913	1.8	0.6	7	10300
OME 630 C-4	1600	10000	108	1000	0.89	95.8	10.187	1.8	0.6	7	10400
OME 630 D-4	1800	10000	122	1000	0.89	95.9	11.460	1.8	0.6	7	10800
OME 450 C-6	220	10000	16.8	1000	0.82	92.3	2.101	1.8	0.7	6	4090
OME 450 D-6	250	10000	19.1	1000	0.82	92.4	2.388	1.8	0.7	6	4210
OME 450 E-6	280	10000	21	1000	0.83	92.7	2.674	1.8	0.7	6	4420
OME 450 F-6	315	10000	23.6	1000	0.83	92.8	3.008	1.8	0.7	6	4560
OME 450 G-6	355	10000	26.5	1000	0.84	93.1	3.390	1.8	0.8	6	4850
OME 450 H-6	400	10000	29.6	1000	0.84	92.9	3.820	1.8	0.8	6	5000
OME 500 B-6	400	10000	29.8	1000	0.83	93.3	3.820	1.8	0.8	6	5440
OME 500 C-6	450	10000	33.5	1000	0.83	93.5	4.298	1.8	0.8	6	5700
OME 560 B-6	710	10000	51.6	1000	0.84	94.6	6.781	1.8	0.8	6	7850
OME 560 C-6	800	10000	58.1	1000	0.84	94.7	7.640	1.8	0.7	6	8100
OME 560 D-6	900	10000	64	1000	0.86	94.3	8.595	1.8	0.7	6	8300
OME 560 E-6	1000	10000	71.1	1000	0.86	94.4	9.550	1.8	0.7	6	10750

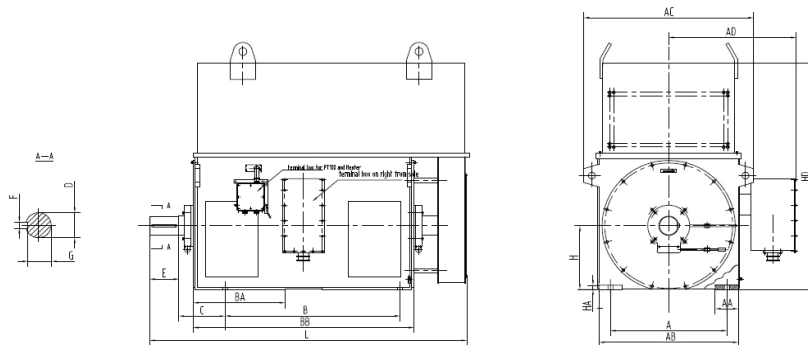
**IP 54/44, IC 611, Insulation Class F, temperature rise Class B, 1000V-50HZ**

TYPE	Rated output	Voltage	Rated Current at	Speed	Power factor	Efficiency	Torque Tn	Starting Current	Starting Torque	Pull-out Torque	Weight (B3)
	KW	V	A	r.p.m.	cos φ	η	Nm	I st/In	Tst/Tn	Tmax/Tn	Kg
OME 630 B-6	1000	10000	71.4	1000	0.85	95.1	9.550	1.8	0.6	6	11150
OME 630 C-6	1120	10000	79.8	1000	0.85	95.3	10.696	1.8	0.6	6	11500
OME 630 D-6	1250	10000	88	1000	0.86	95.4	11.938	1.8	0.6	6	13500
OME 500 A-8	250	10000	20.2	750	0.77	92.6	3.183	1.8	0.7	6	5430
OME 500 B-8	280	10000	22.6	750	0.77	92.7	3.565	1.8	0.7	6	5660
OME 500 C-8	315	10000	25.5	750	0.77	92.8	4.011	1.8	0.7	6	5700
OME 500 D-8	355	10000	28.6	750	0.77	93.1	4.520	1.8	0.7	6	5760
OME 500 E-8	400	10000	31.8	750	0.78	93.2	5.093	1.8	0.7	6	5820
OME 500 F-8	450	10000	33.6	750	0.83	93.1	5.730	1.8	0.7	6	6150
OME 560 B-8	500	10000	39	750	0.79	93.8	6.367	1.8	0.7	6	8100
OME 560 C-8	560	10000	43.6	750	0.79	93.9	7.131	1.8	0.7	6	8300
OME 560 D-8	630	10000	46.4	750	0.83	94.4	8.022	1.8	0.7	6	8500
OME 560 E-8	710	10000	52.7	750	0.83	93.8	9.041	1.8	0.7	6	8800
OME 630 B-8	800	10000	59.5	750	0.83	94.7	10.187	1.8	0.7	6	10800
OME 630 C-8	900	10000	66.8	750	0.82	94.8	11.460	1.8	0.7	6	11200
OME 630 D-8	1000	10000	73.2	750	0.83	95	12.733	1.8	0.7	6	12000
OME 500 C-10	220	10000	18.6	600	0.74	92.1	3.502	1.8	0.7	5.5	5760
OME 500 D-10	250	10000	21.2	600	0.74	92.2	3.979	1.8	0.7	5.5	5930
OME 500 E-10	280	10000	23.6	600	0.74	92.4	4.457	1.8	0.7	5.5	6120
OME 500 F-10	315	10000	26.5	600	0.74	92.6	5.014	1.8	0.7	5.5	7350
OME 560 A-10	355	10000	29.4	600	0.75	92.8	5.650	1.8	0.7	6	7500
OME 560 B-10	400	10000	33.1	600	0.75	93	6.367	1.8	0.7	6	7850
OME 560 C-10	450	10000	36.2	600	0.77	93.2	7.163	1.8	0.7	6	8100
OME 560 D-10	500	10000	40.1	600	0.77	93.4	7.958	1.8	0.7	6	8300
OME 560 E-10	560	10000	44.3	600	0.78	93.5	8.913	1.8	0.7	6	8600
OME 630 A-10	630	10000	49.8	600	0.78	93.7	10.028	1.8	0.7	6	11000
OME 630 B-10	710	10000	56	600	0.78	93.9	11.301	1.8	0.7	6	11400
OME 630 C-10	800	10000	61.2	600	0.8	94.3	12.733	1.8	0.7	6	11800
OME 630 D-10	900	10000	68.7	60500	0.8	94.5	14.325	1.8	0.7	6	12100
OME 560 A-12	250	10000	21.5	500	0.73	92	4.775	1.8	0.7	6	7500
OME 560 B-12	280	10000	24	500	0.73	92.1	5.348	1.8	0.7	6	7850
OME 560 C-12	315	10000	27	500	0.73	92.3	6.017	1.8	0.7	6	8100
OME 560 D-12	355	10000	30.4	500	0.73	93.5	6.781	1.8	0.7	6	8300
OME 560 E-12	400	10000	34.1	500	0.73	92.7	7.640	1.8	0.7	6	8800





TYPE	Rated output	Voltage	Rated Current at	Speed	Power factor	Efficiency	Torque Tn	Starting Current	Starting Torque	Pull-out Torque	Weight (B3)
	KW	V	A	r.p.m.	cos φ	η	Nm	Ist/In	Tst/Tn	Tmax/Tn	Kg
OME 630 A-12	400	10000	38.3	500	0.73	92.9	7.640	1.8	0.7	6	10600
OME 630 B-12	500	10000	42.4	500	0.73	93.2	9.550	1.8	0.7	6	11000
OME 630 C-12	560	10000	46.7	500	0.74	93.5	10.696	1.8	0.7	6	11400
OME 630 D-12	630	10000	52.5	500	0.74	93.7	12.033	1.8	0.7	6	11800



ENGINE DIMENSIONS	CAST IRON FRAME																		
	GENERAL ASSEMBLY SIZE DIMENSIONS																		
	A	AA	AB	AC	AD	AG	B	BA	BB	C	D	E	F	G	H	HA	HB	HD	K

OME 355 - 2	630	130	784	970	745	587	900	525	-	315	80	170	22	71	355	20	55	-	28	-
OME 355 - 4	630	130	784	970	745	587	900	525	-	315	100	210	28	90	355	20	55	-	28	-
OME 400 - 2	710	130	810	-	760	607	-	565	-	375	90	170	25	81	400	25	85	-	35	-
OME 400 - 4 ~ 8	710	130	810	-	760	607	-	565	-	335	110	210	28	100	400	25	85	-	35	-
OME 450 - 2	800	150	910	-	810	657	-	600	-	400	100	210	28	90	450	25	185	-	35	-
OME 450 - 4	800	150	910	-	810	657	-	600	-	355	120	210	32	109	450	25	185	-	35	-
OME 450 - 6 ~ 12	800	150	910	-	810	657	-	600	-	355	130	250	32	119	450	25	185	-	35	-
OME 500 - 2	900	150	-	-	860	707	-	655	-	560	110	210	28	100	500	25	285	-	42	-
OME 500 - 4	900	150	-	-	860	707	-	655	-	475	130	250	32	119	500	25	285	-	42	-
OME 500 - 6 ~ 12	900	150	-	-	860	707	-	655	-	475	140	250	36	128	500	25	285	-	42	-
OME 560 - 2	-	170	-	-	-	814	-	690	-	560	130	250	36	119	560	30	115	-	42	-
OME 560 - 4	-	170	-	-	-	814	-	690	-	500	150	250	36	138	560	30	115	-	42	-
OME 560 - 6 ~ 12	-	170	-	-	-	814	-	690	-	500	160	300	40	147	560	30	115	-	42	-
OME 630 - 2	-	190	-	-	-	879	-	770	-	560	140	250	40	128	630	30	265	-	48	-
OME 630 - 4	-	190	-	-	-	879	-	770	-	530	170	300	40	157	630	30	265	-	48	-
OME 630 - 6 ~ 12	-	190	-	-	-	879	-	770	-	530	180	300	45	165	630	30	265	-	48	-

